

Valve Design : API594

Valve Pressure Testing & Inspection : API598

Flange Connections : ANSI Class 125 / 150 or DIN PN10/ 16

Dual plate check valve

Wafer type

SUS316 Plate

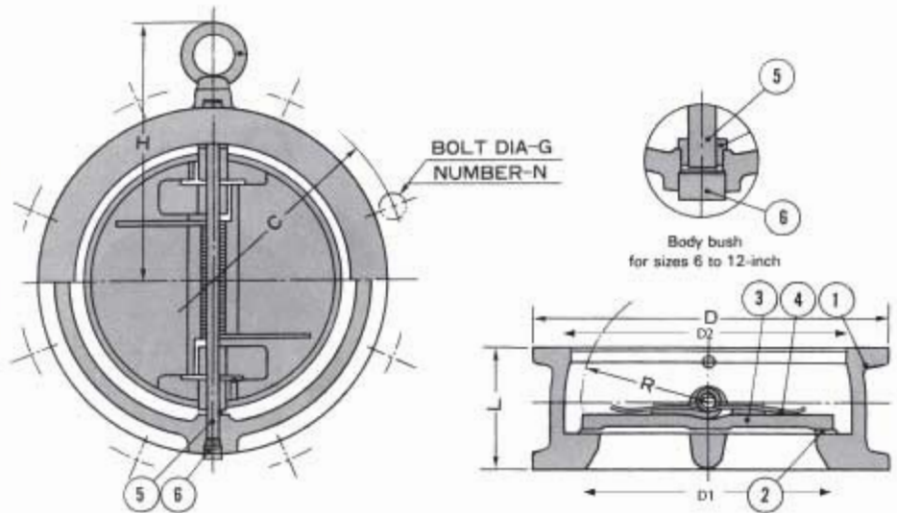
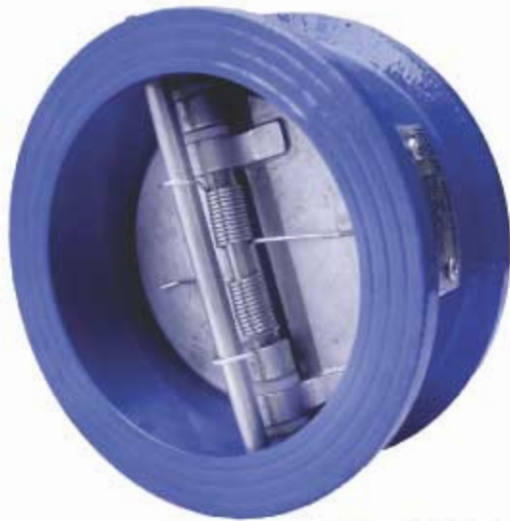


Fig. DCV - 603

### APPLICATIONS

This valve is used for preventing the back-going of medium in pipelines & equipments and the pressure of medium will bring and closing automatically. When the medium is back-going, valve disc the result of opening will automatically close to avoid accidents.

### FEATURES

- This valve is tightly sealed without leakage under the pressure water test.
- Safe and reliable in operation high interference resistance.
- Suitable mediums : Fresh water, Sewage, Sea water, Air, Steam, Food, Medicine, Oils, Acids, etc.

### WORKING PRESSURE

NOMINAL DIAMETER ( mm )		50 (2") - 600 (24")	
NOMINAL PRESSURE		SHELL	SEAT
Psi	150	350	232
Bar	10.3	24.1	16
WORKING TEMPERATURE		- 20 °C to 120 °C	

### MATERIALS

NO.	NAME of PARTS	SPECIFICATION
1	Body	Cast Iron
2	Seal	EPDM
3	Disc	SUS316 (CF8M)
4	Stem	Stainless Steel
5	Spring	Stainless Steel
6	Screw	Reinforced Teflon

### DIMENSION LIST & WEIGHT

mm.

SIZE	L	D	D1	D2	WEIGHT ( Kg )
50	43	107	40	65	1.5
65	46	127	60	78	2.4
80	64	142	70	94	3.6
100	64	162	88	117	5.7
125	70	192	115	145	7.3
150	76	218	134	171	9.0
200	89	273	182	222	17
250	114	328	220	265	26
300	114	378	260	310	42
350	127	438	298	360	55
400	140	489	350	410	75
450	152	539	385	450	102
500	152	594	438	505	107
600	178	695	538	624	165



**ERAWAN VALVES CO.,LTD.**

43/9 Soi Sukhumvit 103, Sukhumvit Rd., Bangna, Bangkok 10260 Thailand

Tel: 02-747-5517 [AUTO], Fax: 02-747-5514, 02-399-4427

Website: [www.erawantech.co.th](http://www.erawantech.co.th) E-mail: [erawantech1@yahoo.com](mailto:erawantech1@yahoo.com)