

Wafer Swing Check Valve

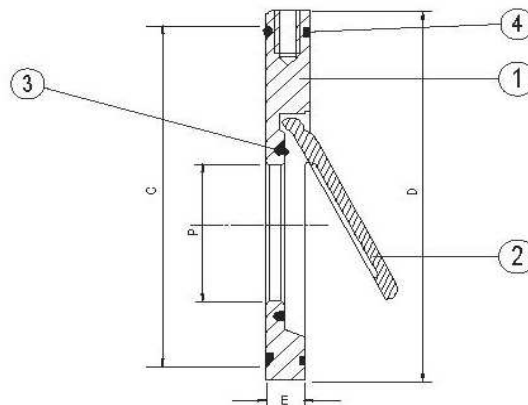
PN16, ANSI CL150/300

MODEL : KC-215 (Carbon Steel)
KC-216 (CF8M/SS316)



NOMINAL PRESSURE	PN16	CL150(PN20)	CL300(PN50)
SEAL TEST PRESSURE	1.76MPa	2.2MPa	5.5MPa
STRENGTH TEST PRESSURE	2.4MPa	3.0MPa	7.5MPa
SUITABLE TEMPERATURE	NBR : -10 - +80°C		
	EPDM : -10 - +120°C		
	VITON : -10 - +150°C		
MEDIUM	Fresh water, Sea Water, Waste water, food stuff, all kinds of acid and alkaline liquid etc.		

ITEM	NAME PARTS	MATERIAL	
		KC-215	KC-216
1	BODY	Carbon Steel with Chrome Plated	A351-CF8M
2	DISC	Carbon Steel with Chrome Plated	A351-CF8M
3	SEAT RING	NBR, EPDM	VITON
4	FLANGE RING	NBR, EPDM	VITON



MAIN OUTER SIZE

unit : mm

DN	INCH	D				P	E		
		PN16	Table D	ANSI 125/150	ANSI 300		PN16	ANSI 150	ANSI 300
40	1 ½"	92	85	85	95	22	14	19	19
50	2"	109	98	105	111	32	14	19	19
65	2 ½"	129	111	124	130	40	14	19	19
80	3"	144	130	136	149	54	14	19	19
100	4"	164	162	175	181	70	18	19	19
125	5"	194	194	197	216	92	18	19	19
150	6"	220	219	222	251	114	20	19	22
200	8"	275	276	179	308	154	22	28	28
250	10"	330	337	340	362	200	26	28	38
300	12"	380	387	410	422	235	28	38	51
350	14"	440	448	451	486	280	38	44	51
400	16"	491	499	515	540	316	44	51	51



ERAWAN VALVES CO.,LTD.

8 Soi Udomsuk Sukhumvit 103 Rd. Bangna Bangna Bangkok 10260 Thailand
Tel. 02-747-5517 [AUTO], Fax: 02-747-5514, 02-399-4427 E-mail : erawantech1@yahoo.com